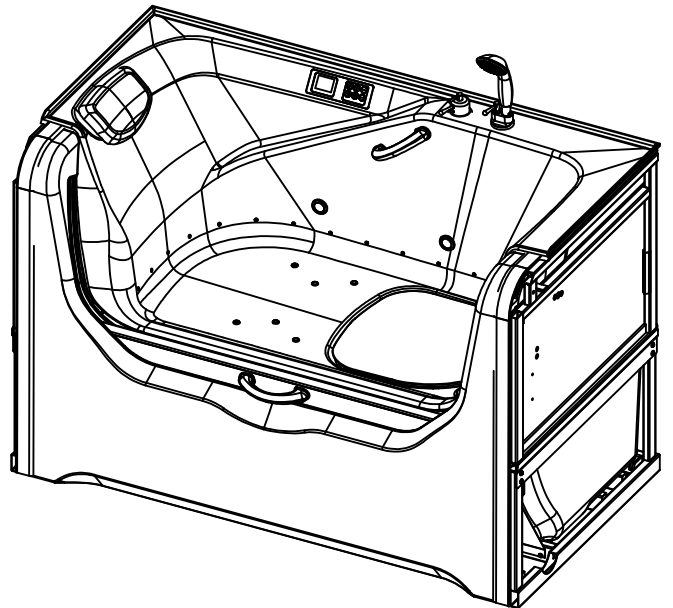
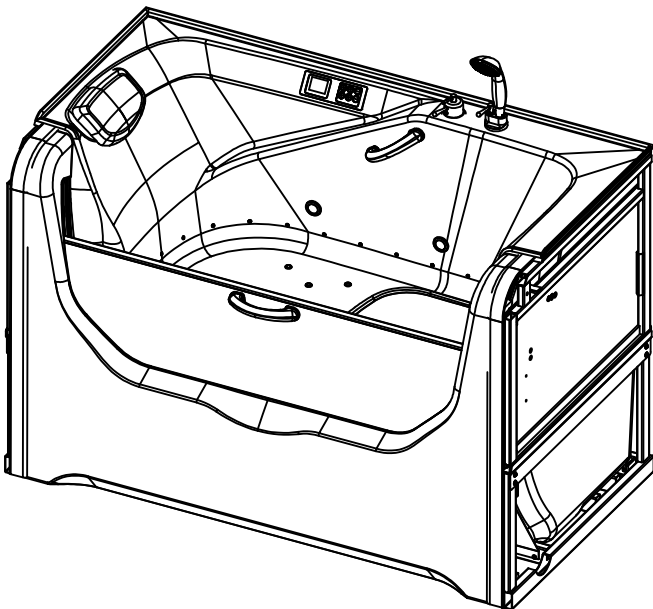
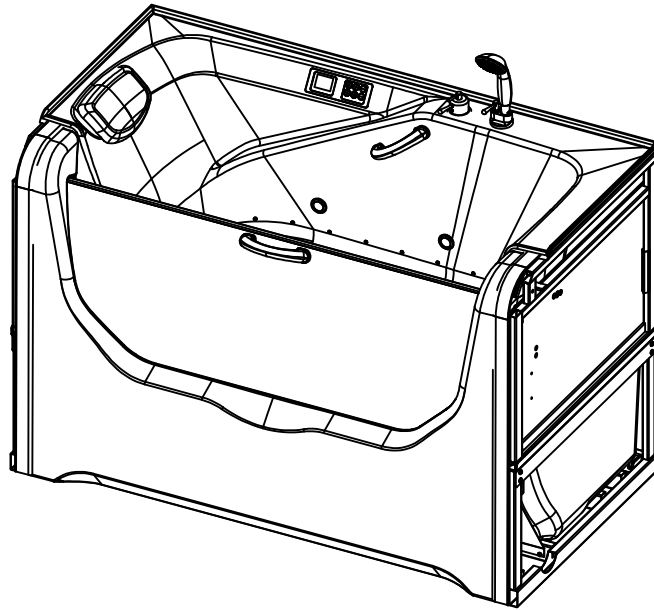


# W ELEVATE

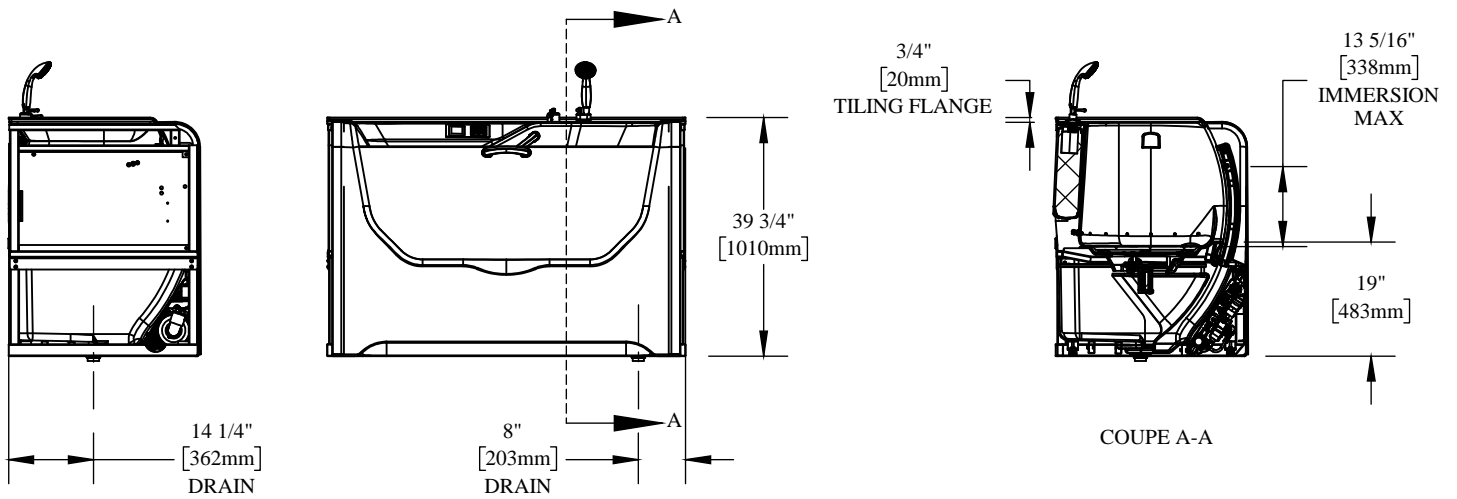
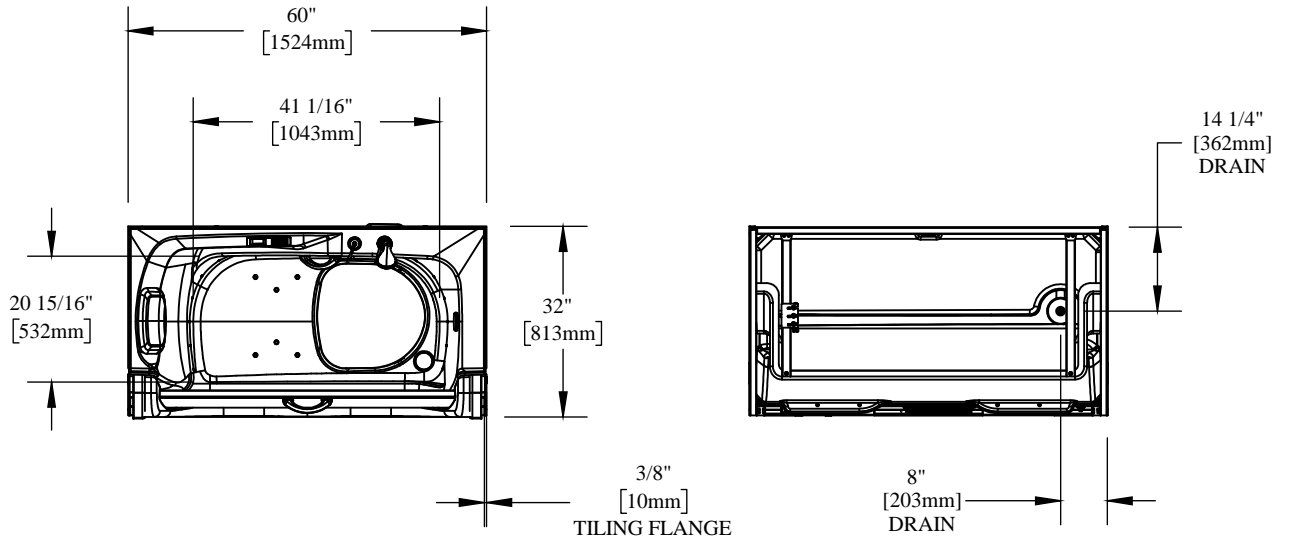


**WIZCO CONSTRUCTION LLC**  
1760 Stoney Creek Drive  
Kewaskum, Wisconsin 53040  
Ph. (262) 323-4437  
Email: [jim@wizcoconstructionllc.com](mailto:jim@wizcoconstructionllc.com)  
[www.wizcoconstructionllc.com](http://www.wizcoconstructionllc.com)

All dimensions are approximate and subject to change without note.

2019-02-01

# WIZO ELEVATE

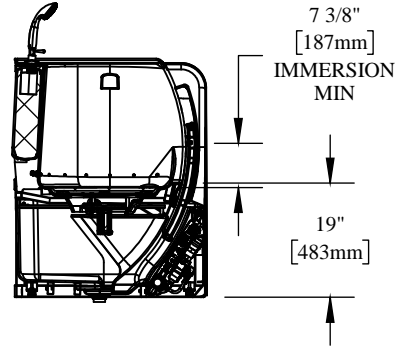
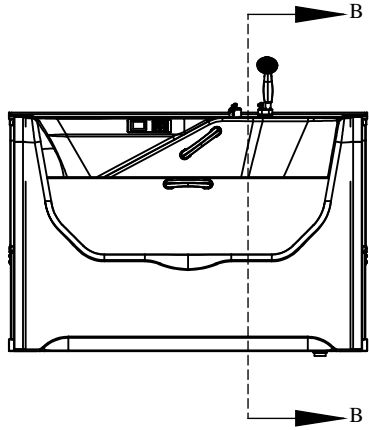


**WIZO CONSTRUCTION LLC**  
 1760 Stoney Creek Drive  
 Kewaskum, Wisconsin 53040  
 Ph. (262) 323-4437  
 Email: jim@wizoconstructionllc.com  
 www.wizoconstructionllc.com

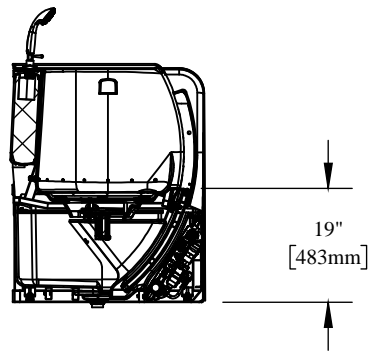
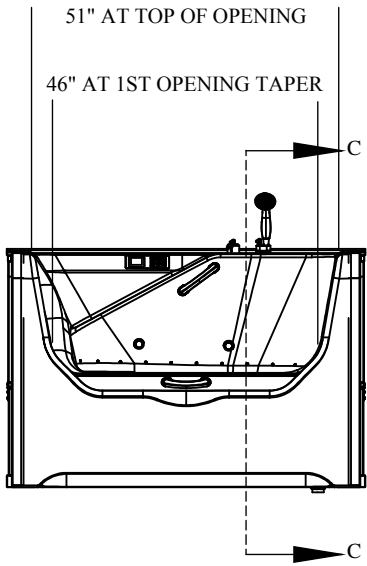
All dimensions are approximate and subject to change without note.

2019-03-20

# WIZCO CONSTRUCTION



COUPE B-B



COUPE C-C



**WIZCO CONSTRUCTION LLC**  
 1760 Stoney Creek Drive  
 Kewaskum, Wisconsin 53040  
 Ph. (262) 323-4437  
 Email: [jim@wizcoconstructionllc.com](mailto:jim@wizcoconstructionllc.com)  
[www.wizcoconstructionllc.com](http://www.wizcoconstructionllc.com)

All dimensions are approximate and subject to change without note.

2019-02-01